



 eclad[®]
by FAVETILES

After more than 10 years of experience in the ventilated façade sector, VECLAD was created. The aim of this new ventilated façade solution is to target crucial aspects of a traditional ventilated façade system.

The main being ease of installation, reduction of weight loads on façade walls, improved resistance to weathering conditions and reducing the cost of transportation.

Our different sub-frames ensure easy and rapid installation by using vertical rails and optimized brackets. Due to the light weight of the profiles and panels used, the system weight is reduced to only 27kg/m² which is 80% less than natural stone and 50% less than traditional ventilated façade systems. The material employed in our panels reaches less than 0.5% of water absorption which makes it completely resistant to rain water and wind abrasion.

The extreme thickness of the panels, around 10mm, allows for up to 1200m² per container and this in turn reduced transportation cost by around 45%.

All these conditions and more make VECLAD a very suitable cladding solution for any type of building.

70⁺
YEARS
OF EXCELLENCE



www.favetiles.com
VALENCIA - Spain
info@favetiles.com

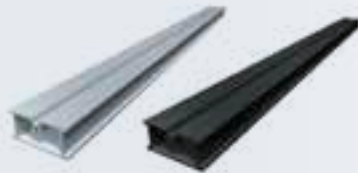


What we perfect.



Engineering.

VECLAD engineering department provides the client with a complete service of cladding system design, prototyping, and finally fabrication and supply.



Standard Aluminum Fixing Systems.

VECLAD has a wide range of standard developed aluminium fixation systems that have been developed to suit every architectural need and that meet international building standards.



Cladding Envelope.

VECLAD offers the client a wide range of cladding material that best suits each project. Our cladding materials include single and double skin ceramic panels along with HPL and Fibrecements boards.







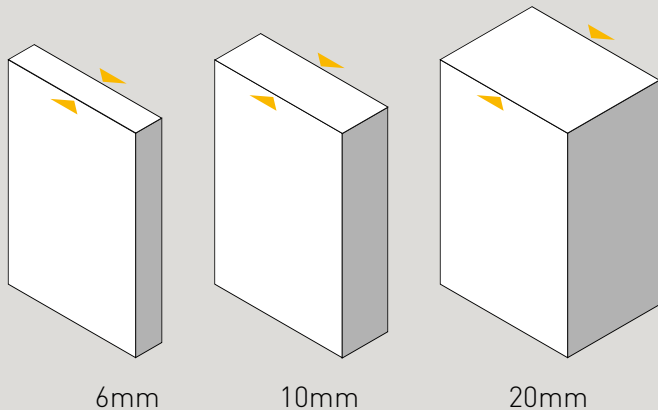


Collections.

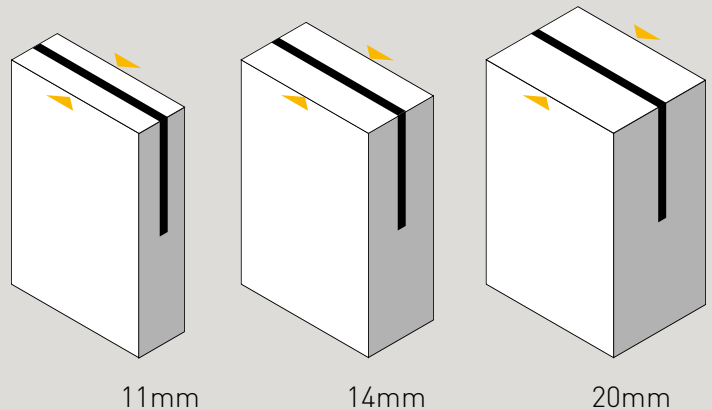


STANDARD THICKNESS

VE-VC

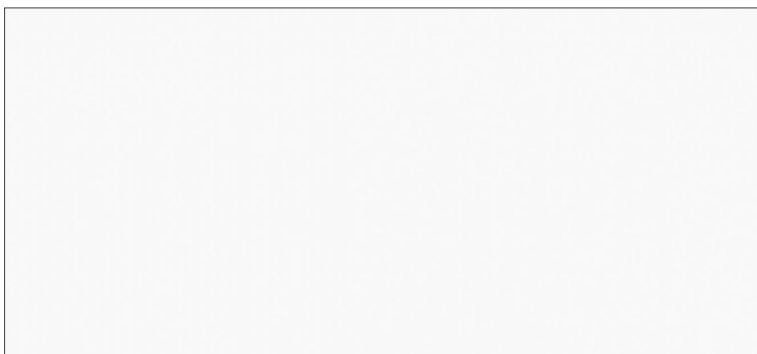


VE-HC VE-SC VE-SH VE-SO VE-SS

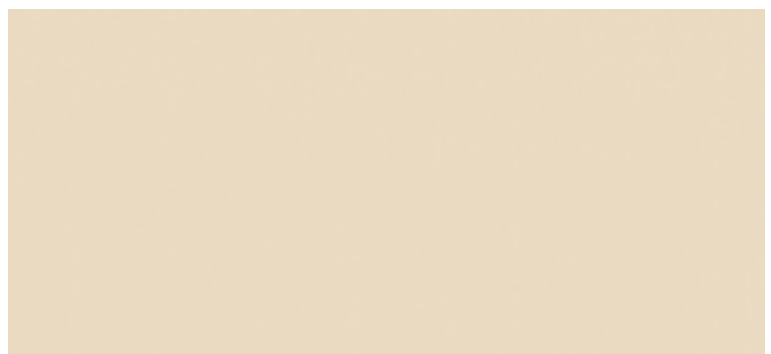


NATURAL

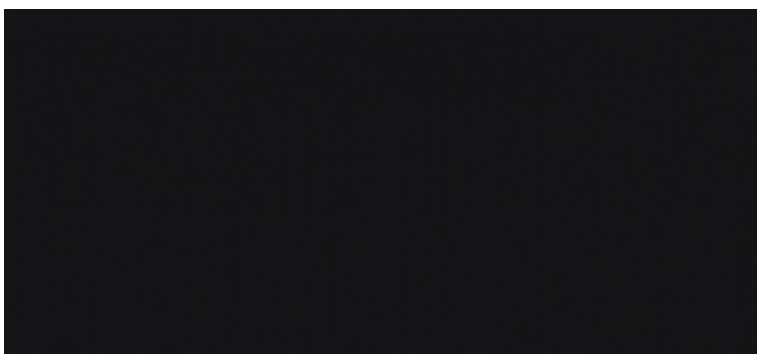
260x120 cm



WHITE



CREAM



BLACK MATTE

AMALFI

50x100 cm



PORCELAIN



MAT



UNIFORMITY



RELIEF



PROOF



RECTIFIED



BEIGE



GRIS



TAUPE

FERRARA

50x100 cm



PORCELAIN



MAT



UNIFORMITY



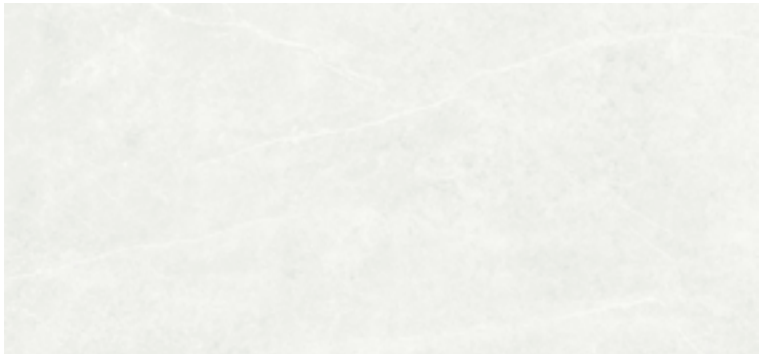
RELIEF



PROOF



RECTIFIED



GRIS



BEIGE



ACERO

ARA

260x120x0.6 cm



PORCELAIN



MAT



UNIFORMITY



RELIEF



PROOF



RECTIFIED



LIGHT



TAUPE



GREY

ALPES

60x120 cm



PORCELAIN



MAT



UNIFORMITY



RELIEF



PROOF



RECTIFIED



CENIZA



MARFIL

BRUNSWICH

80x160 cm



PORCELAIN



MAT



UNIFORMITY



RELIEF



PROOF



RECTIFIED



CENIZA



ACERO

DUPLOSTONE

45x90 cm

P

PORCELAIN

MAT

MAT

UNIFORMITY

UNIFORMITY

RELIEF

RELIEF

PROOF

PROOF

R

RECTIFIED



PERLA



MARFIL



MARENGO

DUPLOCLEM

60x120 cm

P

PORCELAIN

MAT

MAT

UNIFORMITY

UNIFORMITY

RELIEF

RELIEF

PROOF

PROOF

R

RECTIFIED



WHITE



PERLA



TAUPE

ELITE

60x120 cm



PERLA



GRIS



ARENA

CROMAT

90x180 cm



PERLA



MARFIL



GRIS



MARENGO

DOVER

50x100 cm



PORCELAIN



MAT



UNIFORMITY



RELIEF



PROOF



RECTIFIED



GRIS



BEIGE



ACERO



NEGRO

UNIK

80x160 cm



PORCELAIN



MAT



UNIFORMITY



RELIEF



PROOF



RECTIFIED



ASH



IVORY

CEMENT

260x120x0.6 cm



PORCELAIN



MAT



UNIFORMITY



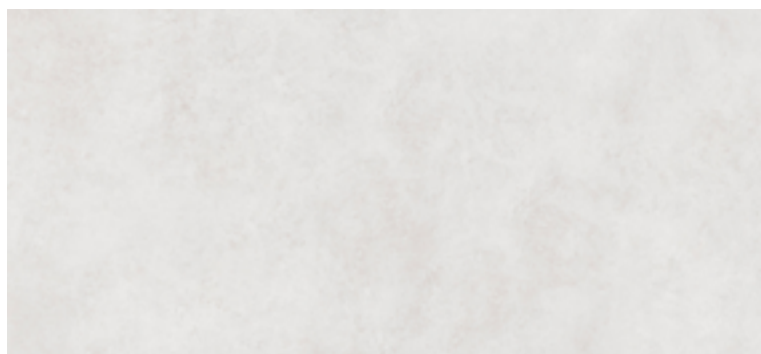
RELIEF



PROOF



RECTIFIED



PEARL



GREY

HABITAT

80x160 cm

- P PORCELAIN
- MAT
- UNIFORMITY
- RELIEF
- PROOF
- R RECTIFIED



BLAZE

60x120 cm

- P PORCELAIN
- MAT
- UNIFORMITY
- RELIEF
- PROOF
- R RECTIFIED



LIGHT GREY

260x120x0.6 cm

- P PORCELAIN
- MAT
- UNIFORMITY
- RELIEF
- PROOF
- R RECTIFIED



SAND

260x120x0.6 cm

- P PORCELAIN
- MAT
- UNIFORMITY
- RELIEF
- PROOF
- R RECTIFIED



VOLCANIC

260x120x0.6 cm

- P PORCELAIN
- MAT
- UNIFORMITY
- RELIEF
- PROOF
- R RECTIFIED



ASPHALT

260x120x0.6 cm



PORCELAIN



MAT



UNIFORMITY



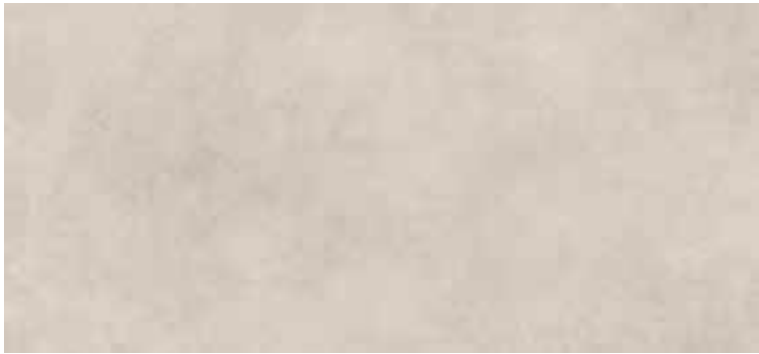
RELIEF



PROOF



RECTIFIED



BEIGE



GREY

DUCALE

60x120 cm

(*)260x120 cm



PORCELAIN



MAT



UNIFORMITY



RELIEF



PROOF



RECTIFIED



MOON



GREY (*)



CEDAR (*)

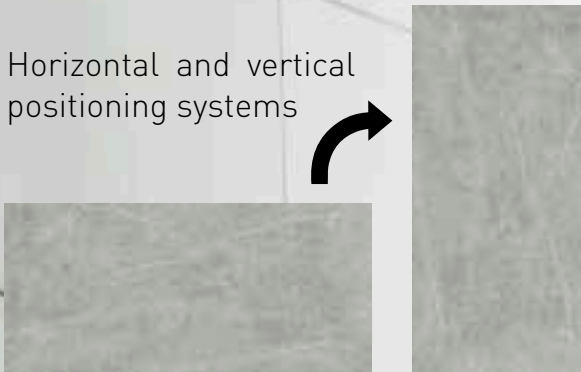


HENNA



Standard fixing systems.

Horizontal and vertical positioning systems

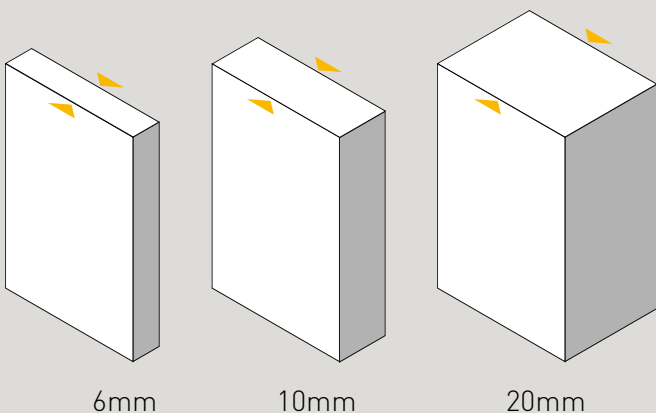


VECLAD has a wide range of standard developed aluminium fixation systems that have been developed to suit every architectural need that meet international building standards.

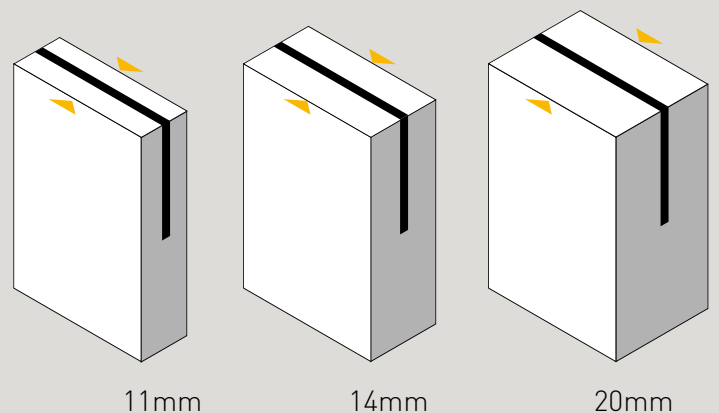


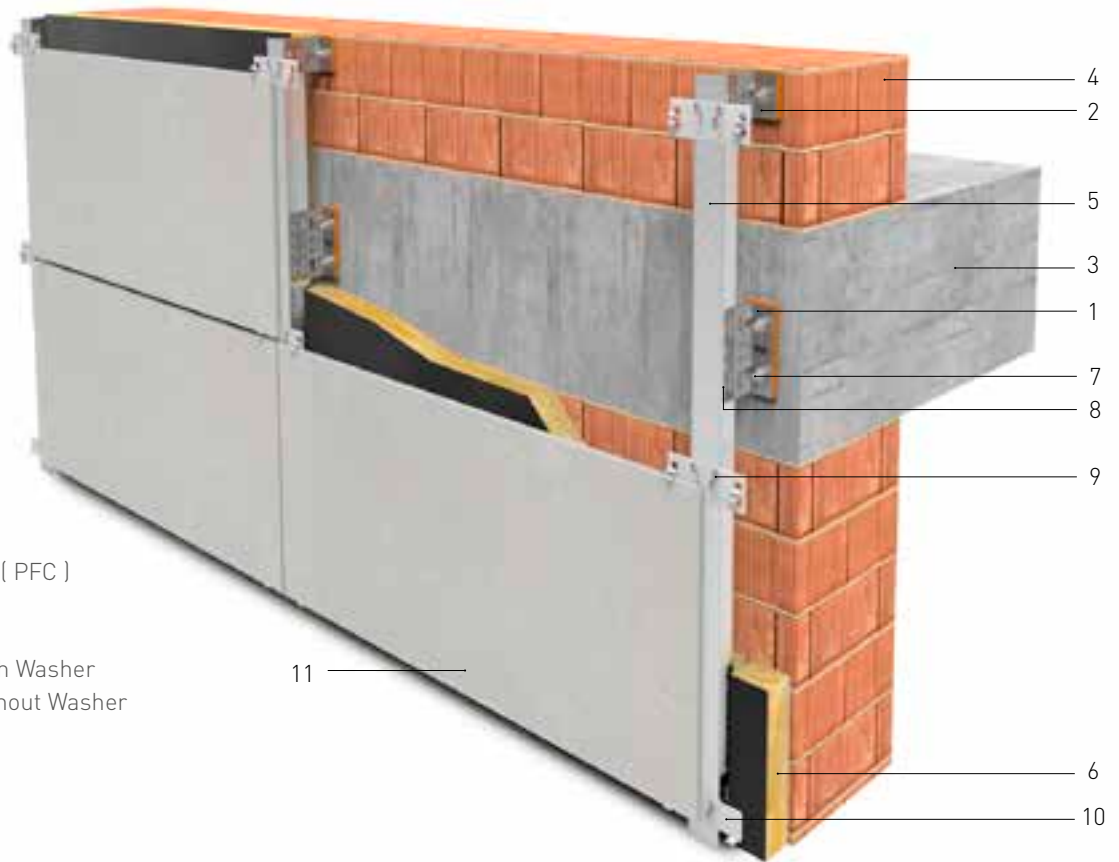
STANDARD THICKNESS

VE-VC



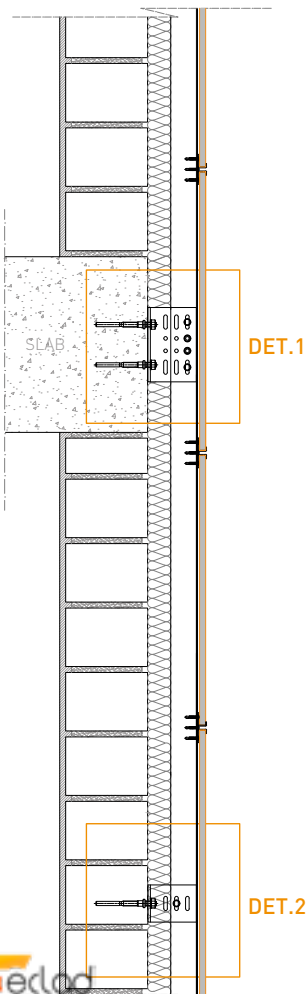
VE-HC VE-SC VE-SH VE-SO VE-SS



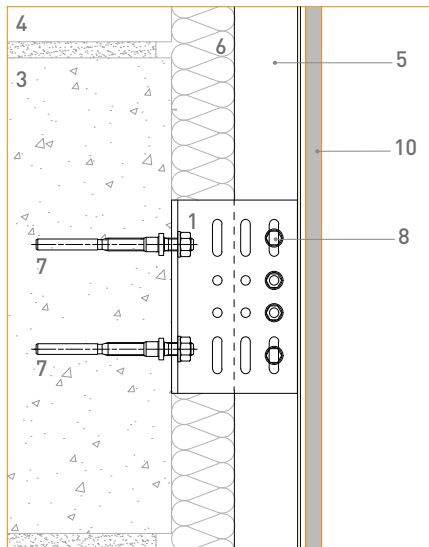
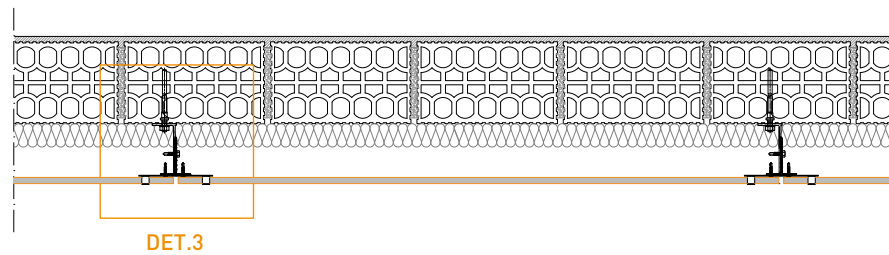


1. Support Bracket
2. Stop Bracket
3. Slab
4. Wall
5. Vertical Aluminum Profile [PFC]
6. Insulation
7. Plastic Anchor
8. Autoscrew N12 5,5x25 With Washer
9. Autoscrew N12 5,5x22 Without Washer
10. Clip
11. Veclad Ceramic Tile

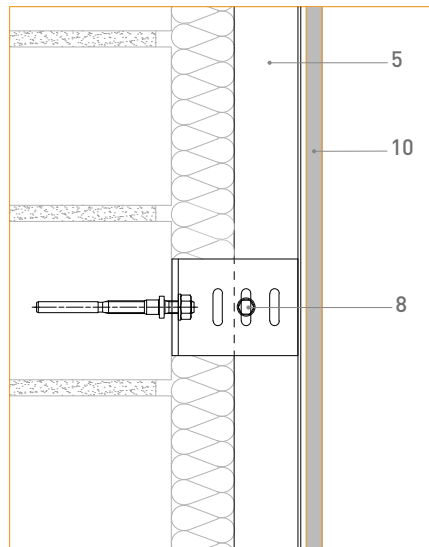
VERTICAL SECTION



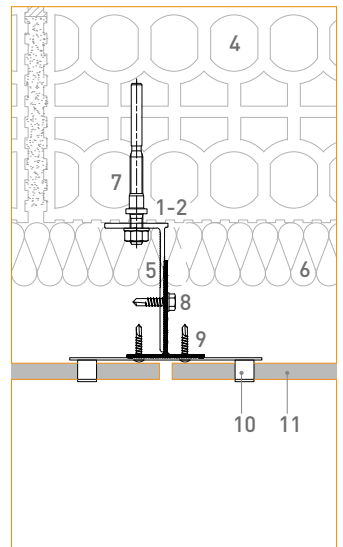
HORIZONTAL SECTION



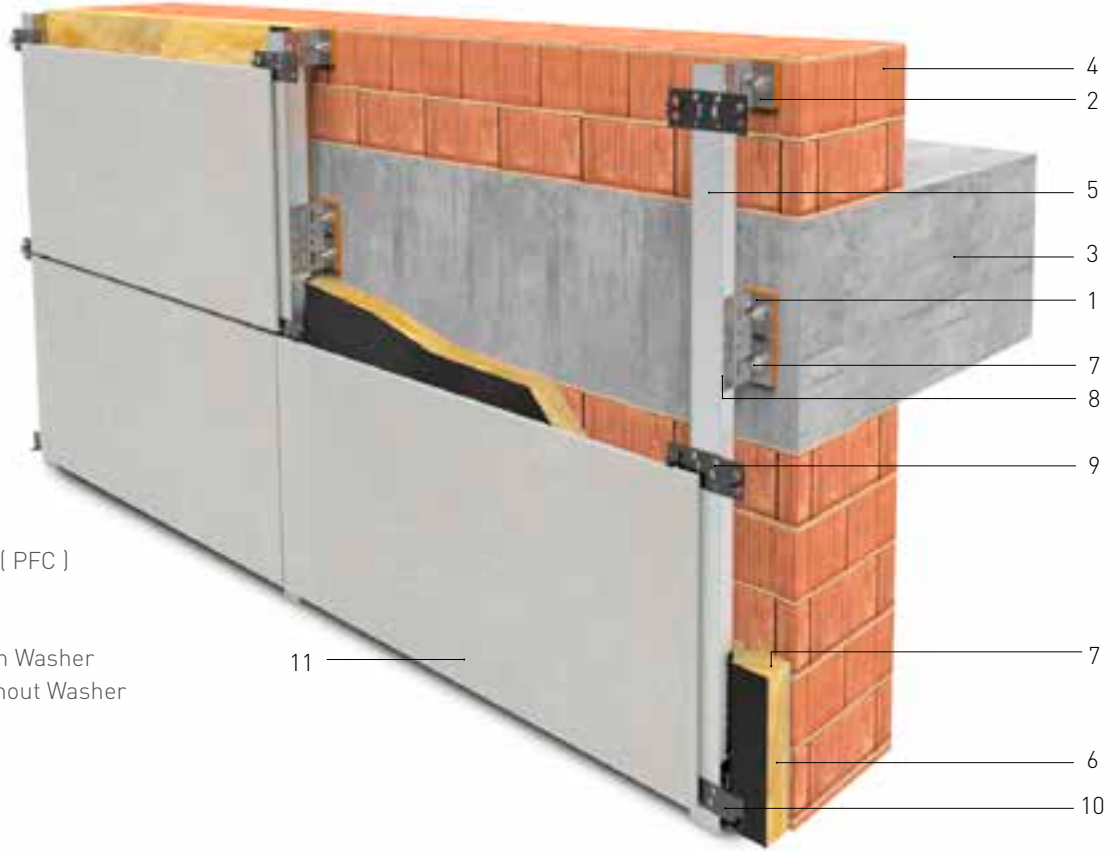
1. Support bracket



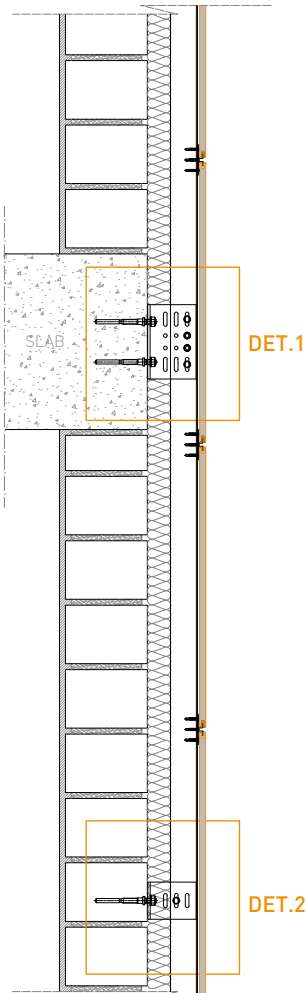
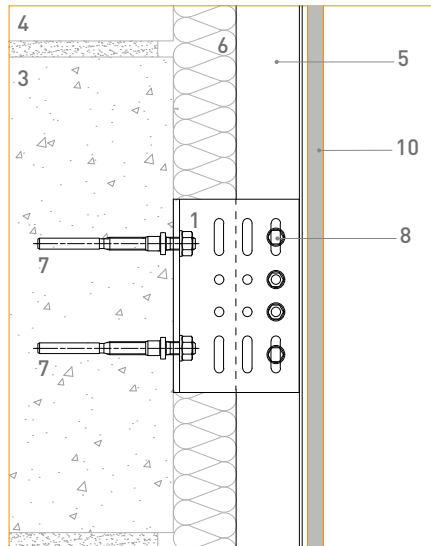
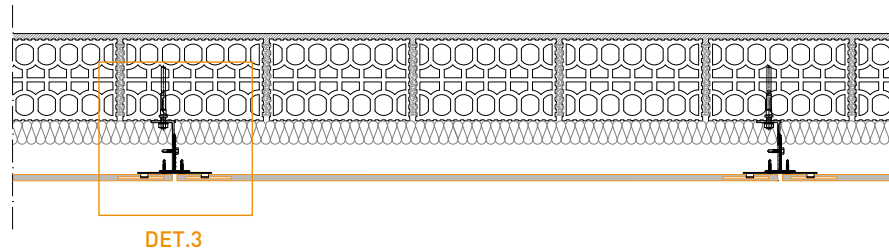
2. Bracket retention



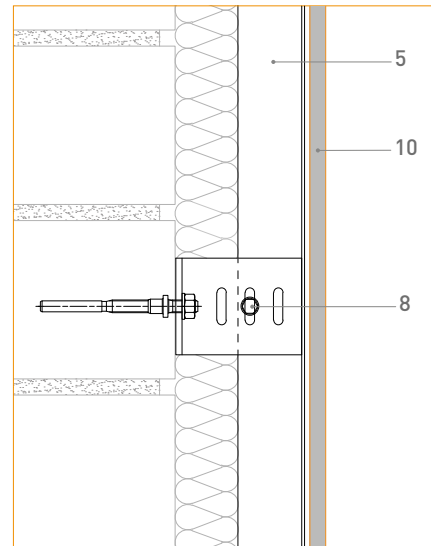
3. Horizontal detail



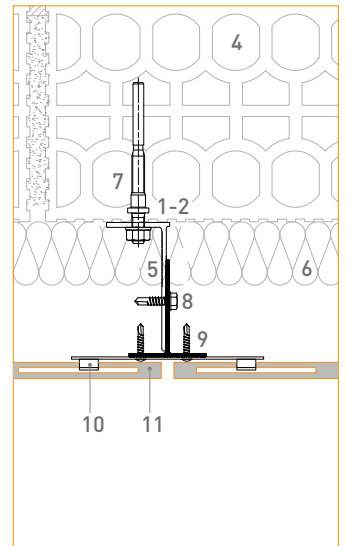
1. Support Bracket
2. Stop Bracket
3. Slab
4. Wall
5. Vertical Aluminum Profile (PFC)
6. Insulation
7. Plastic Anchor
8. Autoscrew N12 5,5x25 With Washer
9. Autoscrew N12 5,5x22 Without Washer
10. Clip
11. Veclad Ceramic Tile

VERTICAL SECTION

HORIZONTAL SECTION


1. Support bracket



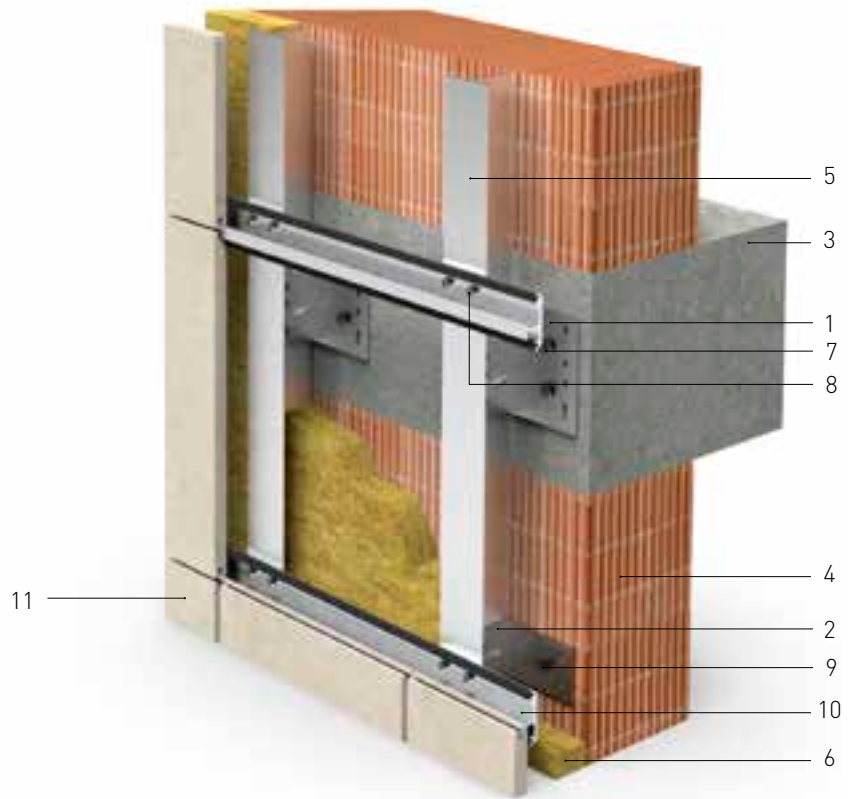
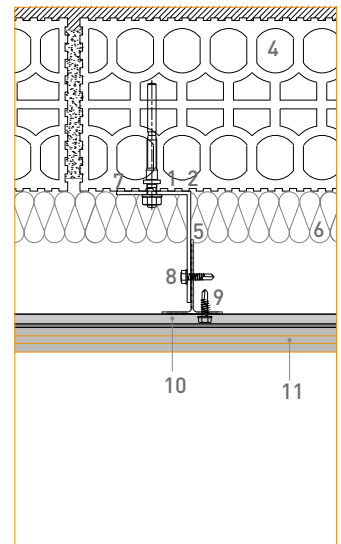
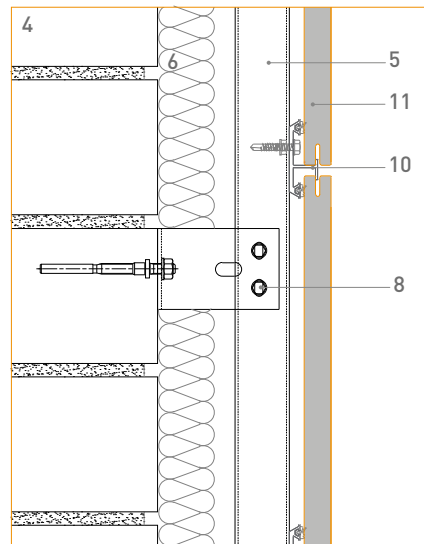
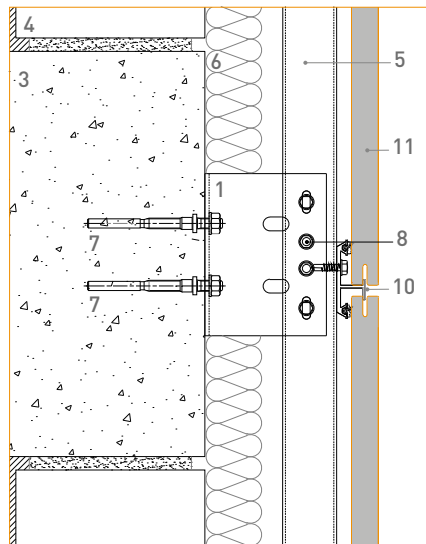
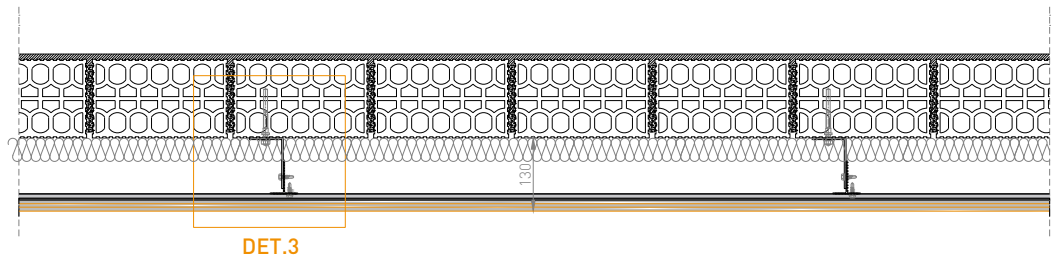
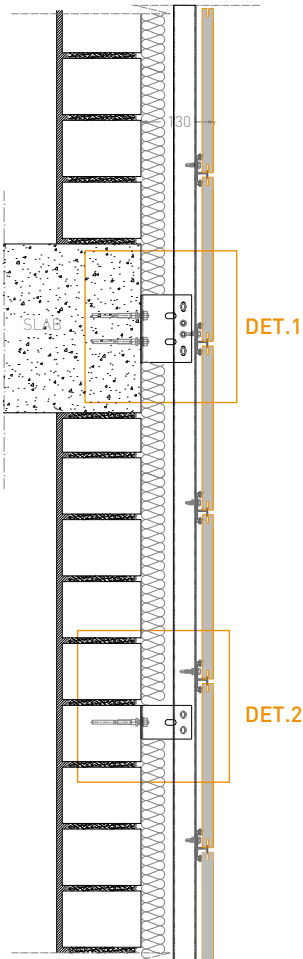
2. Bracket retention



3. Horizontal detail



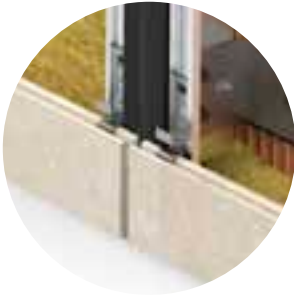
1. Support Bracket
2. Stop Bracket
3. Slab
4. Wall
5. Vertical Aluminum Profile (PFC)
6. Insulation
7. Plastic Anchor
8. Autoscrew N12 5,5x25 With Washer
9. Autoscrew N12 5,5x22 Without Washer
10. Intermediate Horizontal Profile
11. Veclad Ceramic Tile


VERTICAL SECTION
HORIZONTAL SECTION


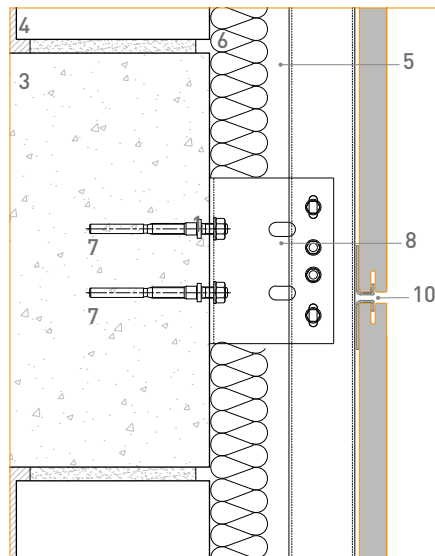
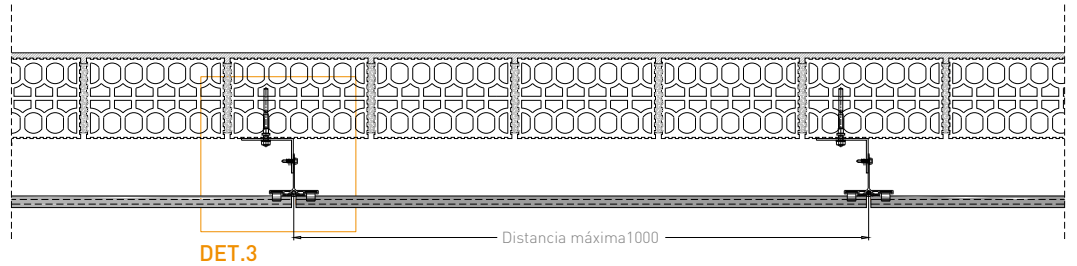
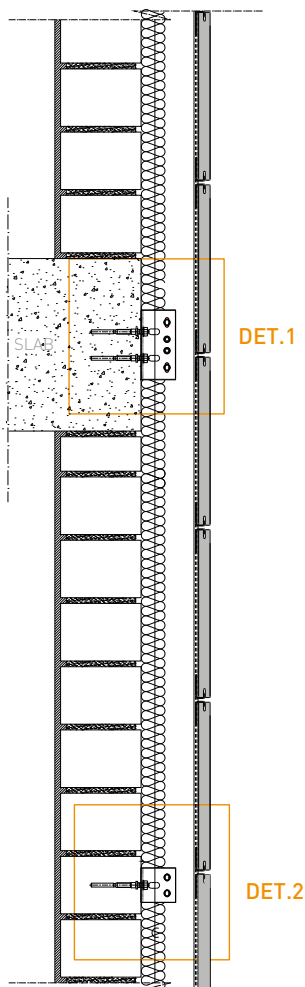
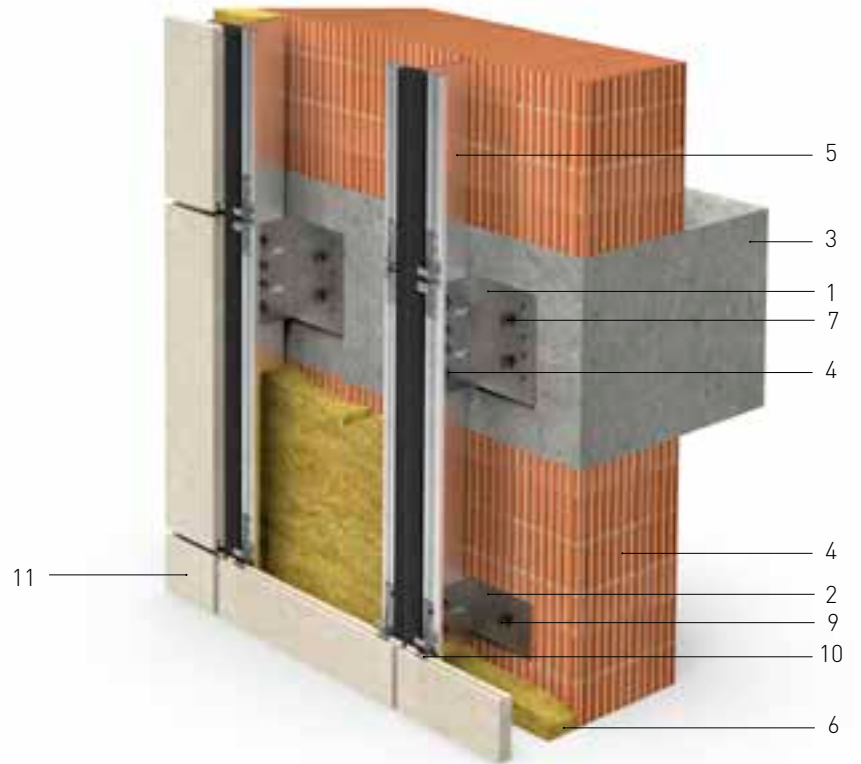
1. Support bracket

2. Bracket retention

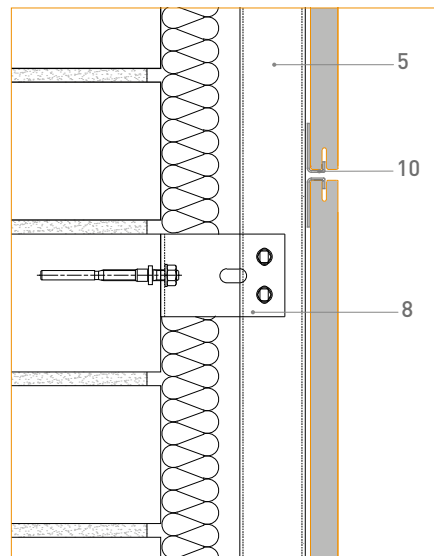
3. Horizontal detail



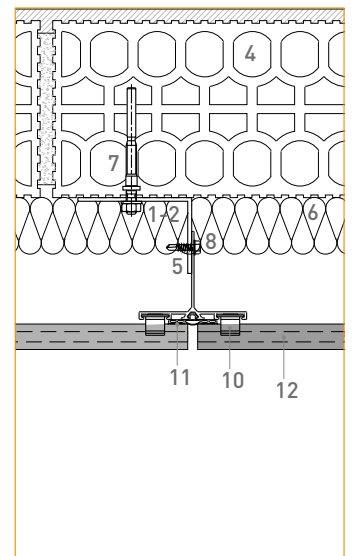
1. Support Bracket
2. Stop Bracket
3. Slab
4. Wall
5. Vertical Aluminum Profile (PFC)
6. Insulation
7. Plastic Anchor
8. Autoscrew N12 5,5x25 With Washer
9. Autoscrew N12 5,5x22 Without Washer
10. Clip
11. EPDM Joint
12. Veclad Ceramic Tile



1. Support bracket



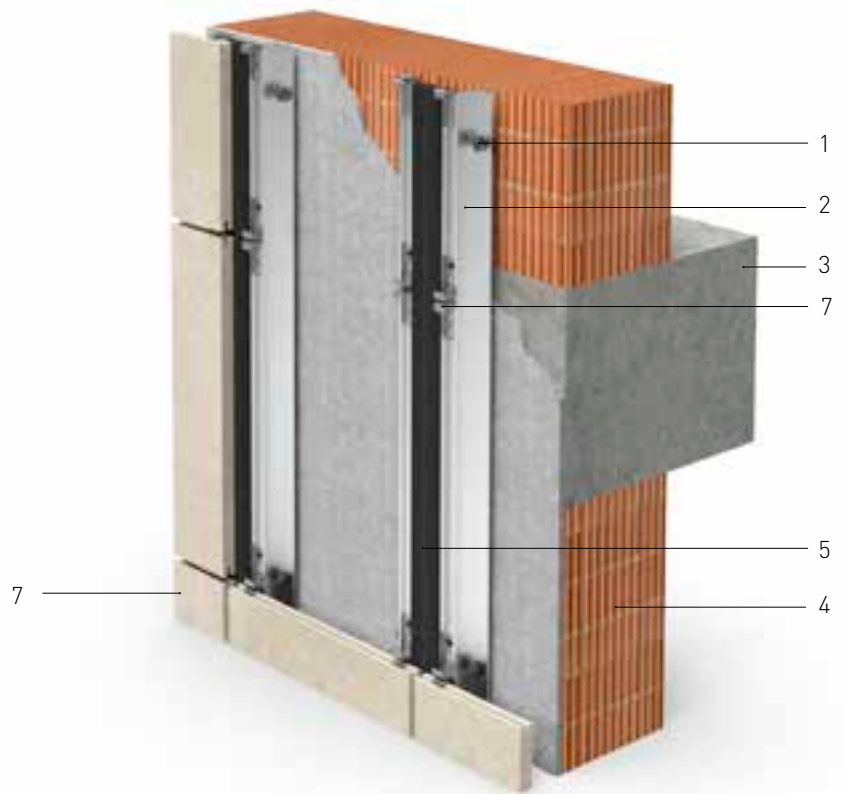
2. Bracket retention



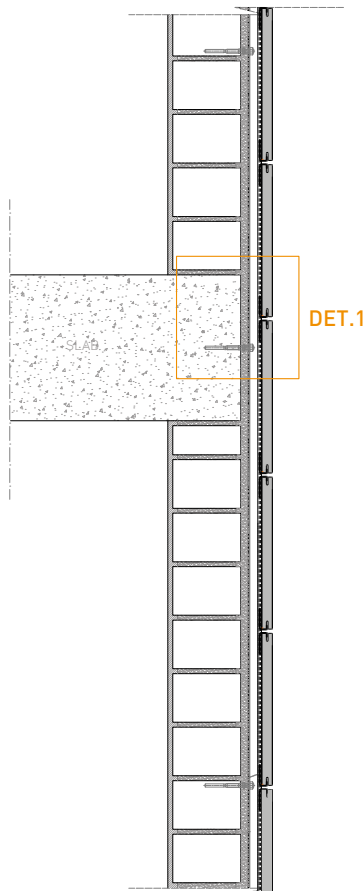
3. Horizontal detail



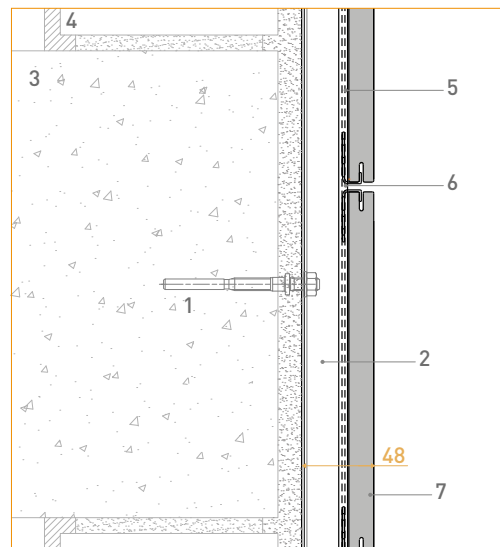
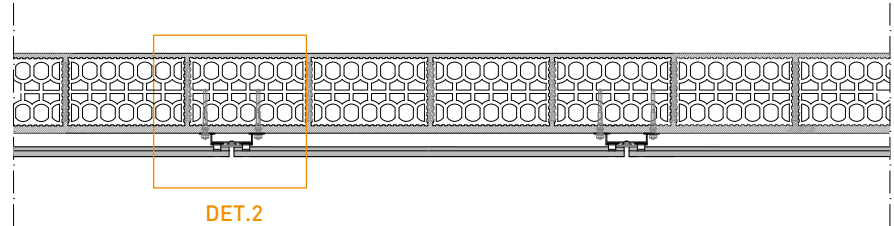
- 1. Plastic Anchor
- 2. Omega Profile (85x25mm)
- 3. Slab
- 4. Wall
- 5. EPDM Joint
- 6. Clip
- 7. Veclad Ceramic Tile



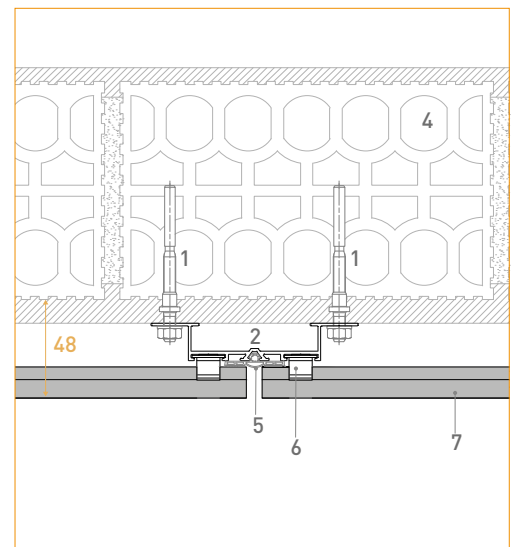
VERTICAL SECTION



HORIZONTAL SECTION



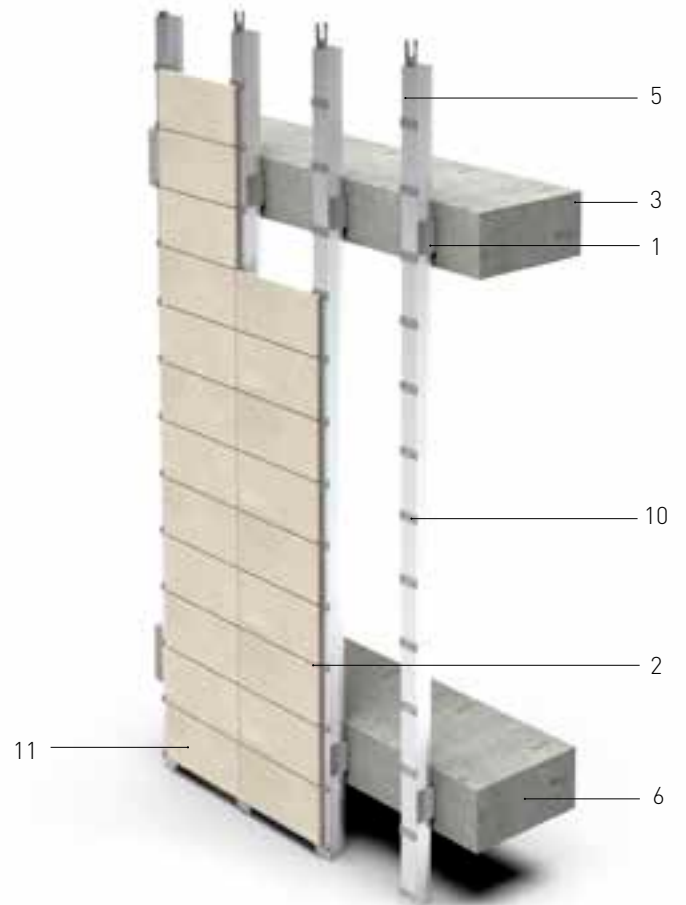
1. Support bracket



2. Horizontal detail

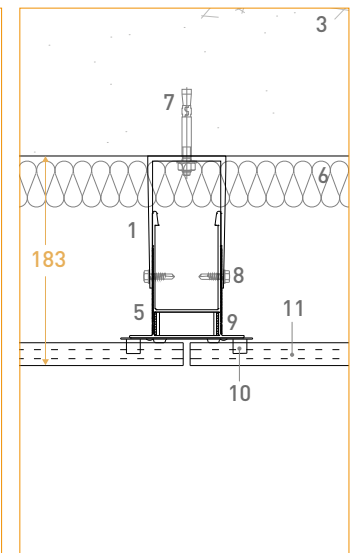
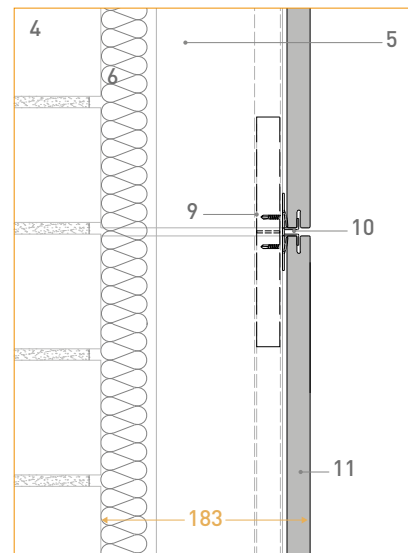
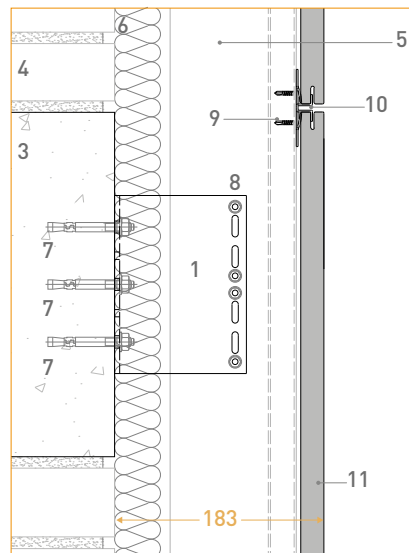
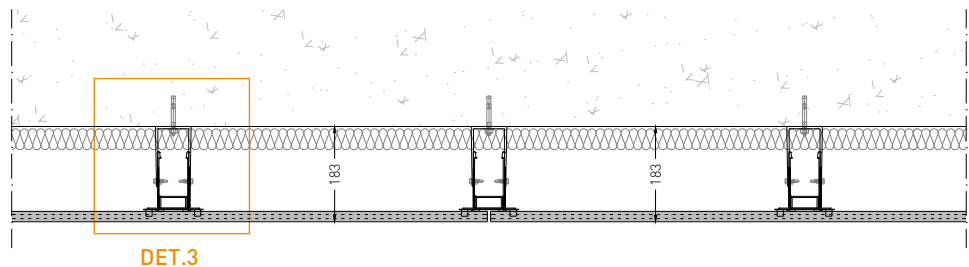
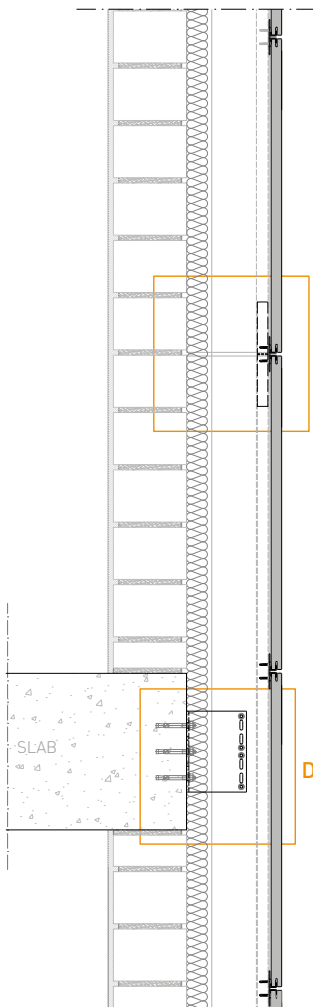


1. Bracket
3. Slab
4. Wall
5. Vertical Aluminum Profile (PFF)
6. Insulation
7. Plastic Anchor
8. Autoscrew N12 5,5x25 With Washer
9. Autoscrew N12 5,5x22 Without Washer
10. Clip
11. Veclad Ceramic Tile



VERTICAL SECTION

HORIZONTAL SECTION



1. Support bracket

2. Stop bracket

3. Horizontal detail



EDITION: MARCH'2023



www.favetiles.com
VALENCIA - Spain
info@favetiles.com